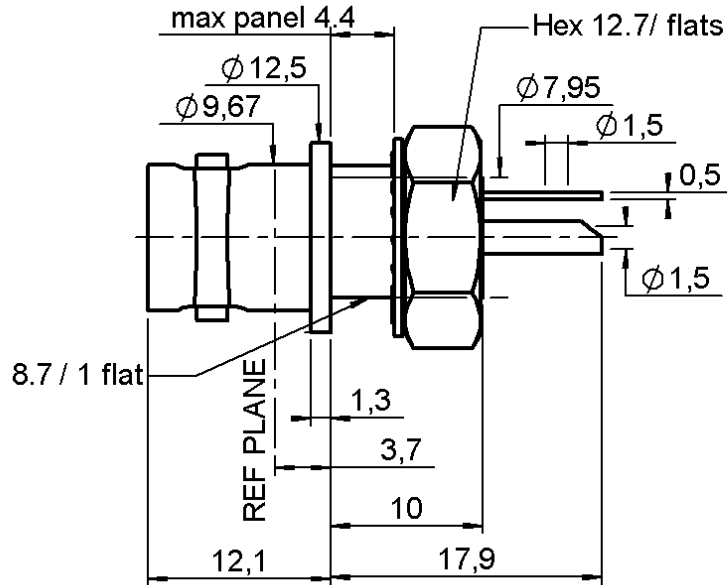


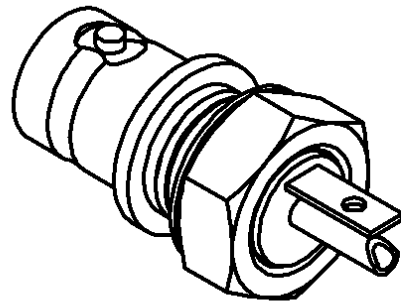
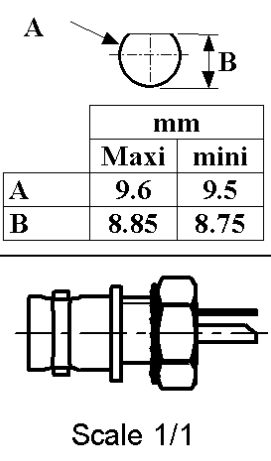
**INSULATED BULKHEAD JACK RECEPTACLE**  
**FR. MOUNT. WITH SOLDER POT CONTACT**

**R142.574.590**

Series : BNC 75-  
COM



**PANEL CUT OUT**



All dimensions are in mm.



COMPONENTS	MATERIALS	PLATINGS (µm)
BODY	BRASS	NICKEL 2
CENTER CONTACT	BERYLLIUM COPPER	GOLD 1.3 OVER NICKEL 2.54 OVER COPPER 3
OUTER CONTACT	-	-
INSULATOR	-	-
GASKET	-	-
OTHERS PARTS	BRASS	-
-	-	-
-	-	-

Issue : 0341 A

In the effort to improve our products, we reserve the right to make changes judged to be necessary.



**INSULATED BULKHEAD JACK RECEPTACLE**  
**FR. MOUNT. WITH SOLDER POT CONTACT**

**R142.574.590**

Series : **BNC 75-COM**

**PACKAGING**

**SPECIFICATION**

Standard	Unit	Other
<b>1</b>	-	<b>Contact us</b>

**ELECTRICAL CHARACTERISTICS**

**ENVIRONMENTAL**

Impedance		<b>75</b> Ω
Frequency		<b>0-1.5</b> GHz
VSWR	<b>NA</b> +	<b>0.000</b> x F(GHz) Maxi
Insertion loss		<b>NA</b> √F(GHz) dB Maxi
RF leakage	- (	<b>NA</b> - F(GHz)) dB Maxi
Voltage rating		<b>500</b> Veff Maxi
Dielectric withstanding voltage		<b>1300</b> Veff mini
Insulation resistance		<b>5000</b> MΩ mini

Operating temperature	<b>-35/+70</b> ° C
Hermetic seal	<b>NA</b> Atm.cm3/s
Panel leakage	<b>NA</b>

**OTHERS CHARACTERISTICS**

Assembly instruction

Others :

**MECHANICAL CHARACTERISTICS**

Center contact retention		
Axial force – Mating end	<b>15</b>	N mini
Axial force – Opposite end	<b>15</b>	N mini
Torque	<b>NA</b>	N.cm mini
Recommended torque		
Mating	<b>NA</b>	N.cm
Panel nut	<b>80</b>	N.cm
Mating life	<b>100</b>	Cycles mini
Weight	<b>0.000</b>	g

Issue : 0341 A

In the effort to improve our products, we reserve the right to make changes judged to be necessary.

